

# Circular and sector sprinklers

## Circular and sector sprinkler V 80

Advantage / benefit: **swing arm sprinkler adjusting screw for controlling the throw length and droplet size elevation angle can be adjusted via deflector sector limitation from 20° to 360° infinitely adjustable**

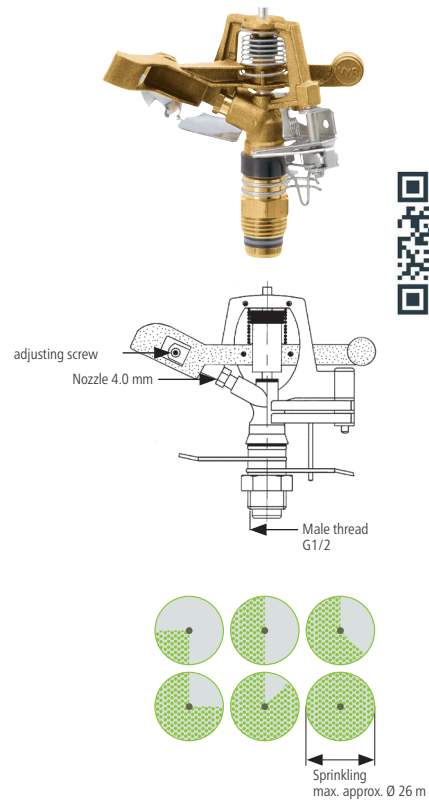
Material: .....brass; springs and adjusting screw: stainless steel

Requirement: .....3/4" hoses and minimum pressure of 2 bar

Area of application:....for medium to higher sprinkling densities

Areas of application: **..cultivation of vegetables in fields, fruit growing, sports and recreational facilities, etc.**

Connection male thread mm	20.95
<b>Connection male thread</b>	<b>G1/2</b>
Water flow rate at 2 bar l/min	14
Water flow rate at 3 bar l/min	17.2
Water flow rate at 4 bar l/min	19.9
Nozzle hole Ø mm	4.0
Throw length at 4 bar approx. m	13 m (standard nozzle equipment)
Recommended pressure range bar	2 - 4
PU units	1
Covering box units	50
<b>Item no.</b>	<b>57.5664.9</b>



## Circular and sector raised sprinkler V 80 S with GEKA® tripod

Advantage / benefit: **combination of circular sprinkler V 80 and tripod (57.5680.9)**  
sprinkler is mounted onto the adjustable tripod with sleeve (75.2105)  
**extremely stable and steady**  
foldable

Material: .....sprinkler: brass; springs and adjusting screw: stainless steel; tripod: galvanised steel

Requirement: .....3/4" hoses and minimum pressure of 2 bar

Area of application:....for medium to higher sprinkling densities

Areas of application: **..cultivation of vegetables in fields, fruit growing, sports and recreational facilities, etc.**

Special note: .....the stability of circular raised sprinklers largely depends on the respective soil conditions

Connection male thread mm	26.44
<b>Connection male thread</b>	<b>G3/4</b>
Tripod height mm	700
Adjustable height up to mm	1070
PU units	1
Covering box units	5
<b>Item no.</b>	<b>57.5674.9</b>

