

CAST IRON FOOT AXIAL DISC CHECK VALVE EPDM WITH SPRING FLANGED PN16 ACS

Cast iron foot axial disc check valve for drinking water, heating and water distribution.
Cast iron EN GJL-250 body coated with anti-corrosion epoxy painting, ductile iron disc and EPDM seat.
Vertical position.
Steel strainer basket, 6 mm mesh.



Size : DN50 to DN300
Connection : Between flanges PN10/16 RF
Min Temperature : -10°C
Max Temperature : +120°C
Max Pressure : 16 Bars up to DN300
Specifications : Disc type
Vertical position
Stainless steel spring
Epoxy painting
Weak headloss

Materials : Cast iron EN GJL-250 body or ductile EN GJS-400-15

CAST IRON FOOT AXIAL DISC CHECK VALVE EPDM WITH SPRING FLANGED PN16 ACS

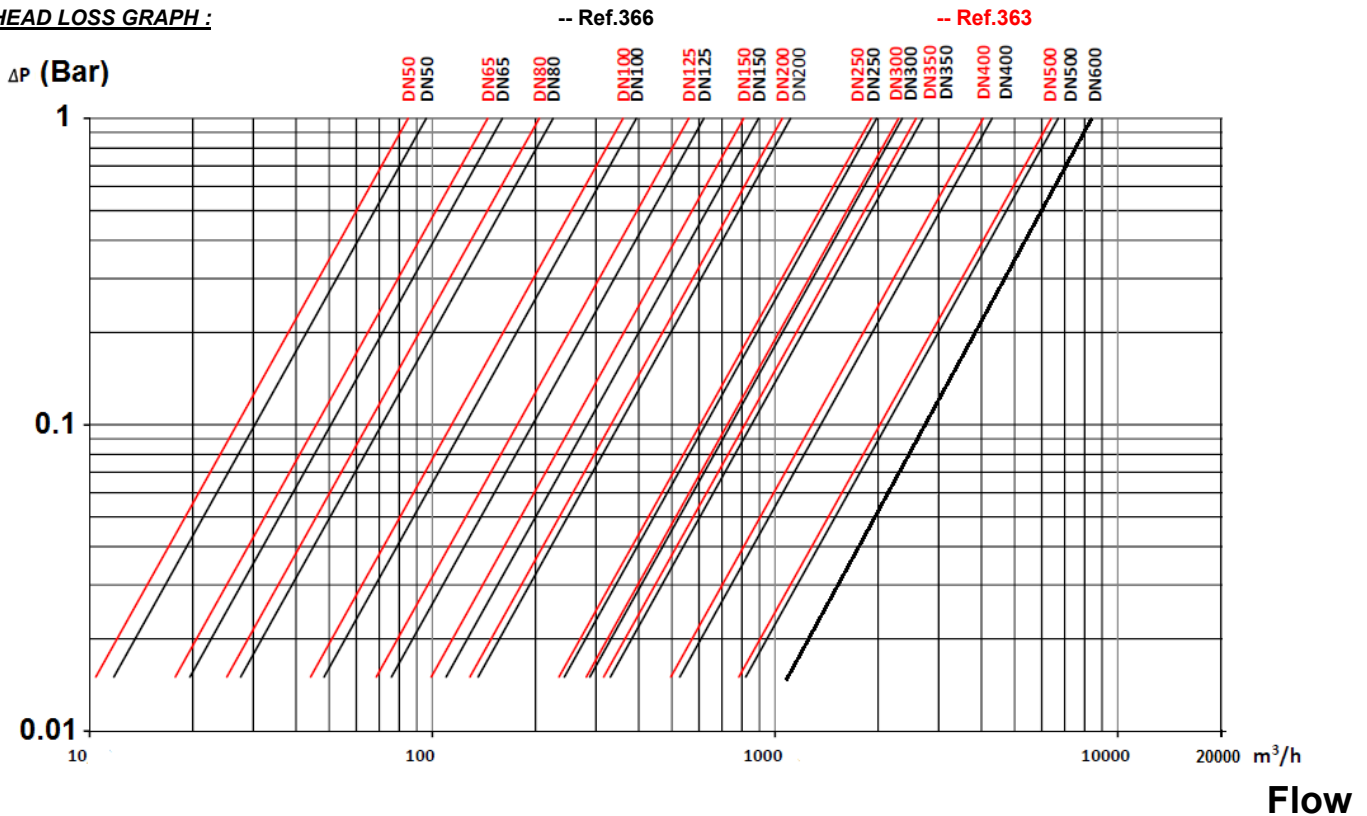
SPECIFICATIONS :

- Disc check valve type
- Respect the flow direction indicated by an arrow on the body
- Flanges R.F. PN10/16 up to DN150, PN16 from DN200 to DN300
- Weak head loss thanks to the cylindrical internal designing
- Anti-corrosion epoxy painting blue color RAL 5017, 100 µ thickness
- Bronze bushing to avoid blocking of the disc
- Drilled boss on request for bypass or to check the thickness
- Disc designed for a better hydrodynamism
- Silent solution
- Minimum back pressure for tightness : 0.2 bars
- Steel strainer basket, 6 mm mesh

USE :

- Water distribution
- Min Temperature Ts : - 10°C
- Max Temperature Ts : + 120°C
- Max Pressure Ps : 16 bars

HEAD LOSS GRAPH :



FLOW COEFFICIENT Kvs (in m3/h) :

DN	50	65	80	100	125	150	200	250	300
Kvs (m3/h)	86	143	201	351	553	801	980	1750	2115

CAST IRON FOOT AXIAL DISC CHECK VALVE EPDM WITH SPRING FLANGED PN16 ACS
RANGE :

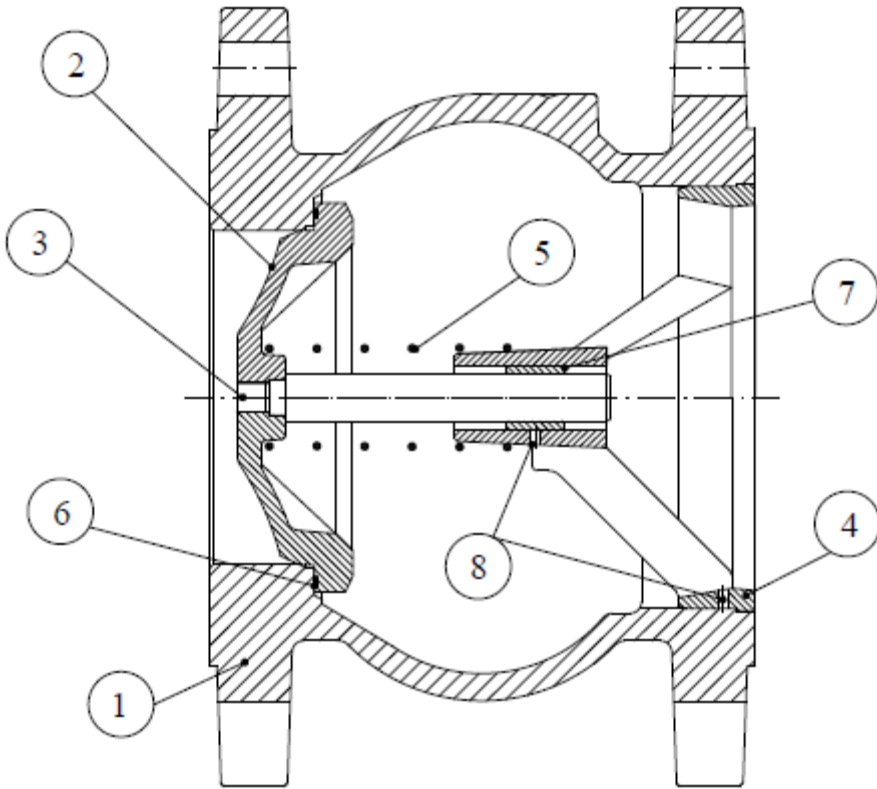
- Flanged foot disc check valve PN10/16 from DN50 to DN 150, PN16 from DN 200 to DN 300 **Ref. 363**

OPENING PRESSURE (mbar) :

DN	Vertical Position ascending fluid	Horizontal Position
DN 50	55 ↑	40 →
DN 65	52 ↑	35 →
DN 80	52 ↑	34 →
DN 100	53 ↑	35 →
DN 125	65 ↑	46 →
DN 150	66 ↑	48 →
DN 200	76 ↑	55 →
DN 250	91 ↑	62 →
DN 300	90 ↑	58 →
DN 350	91 ↑	59 →
DN 400	106 ↑	70 →
DN 500	114 ↑	72 →
DN 600	155 ↑	92 →

CAST IRON FOOT AXIAL DISC CHECK VALVE EPDM WITH SPRING FLANGED PN16 ACS

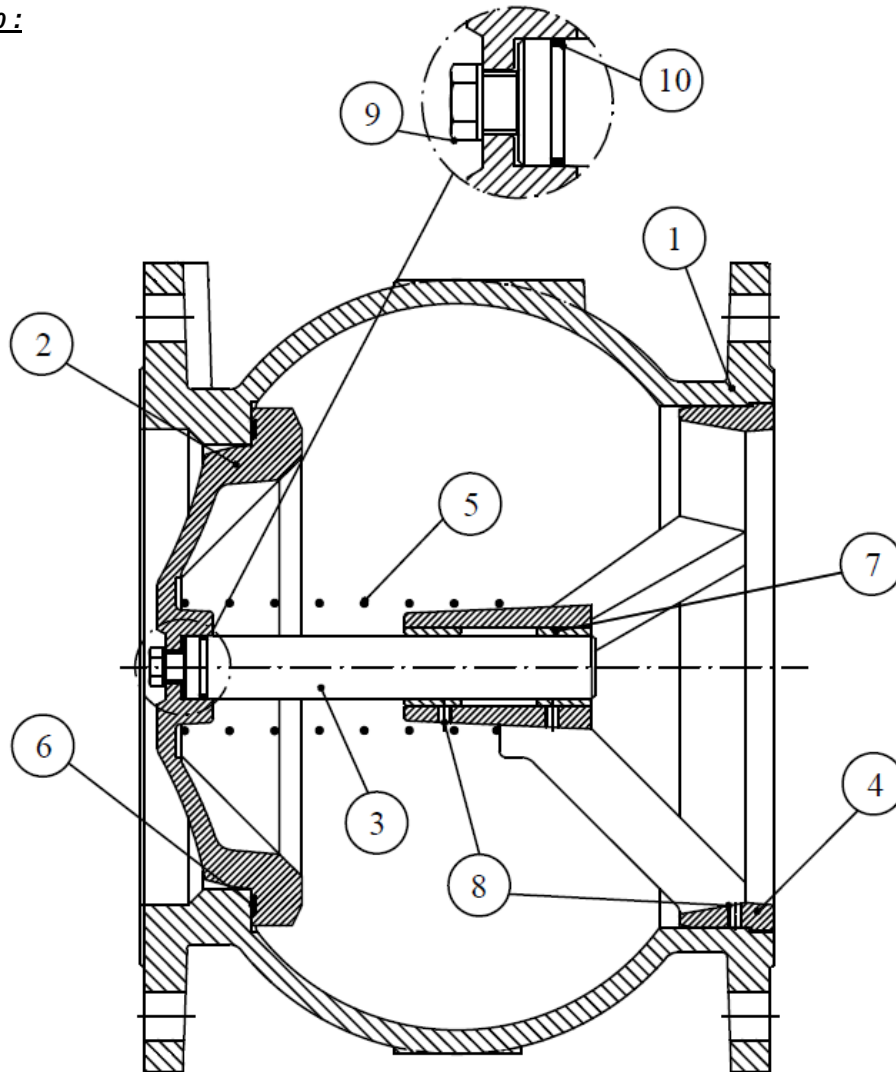
MATERIALS DN 50 - 100 :



Item	Designation	Materials
1	Body	Cast iron EN-GJL-250
2	Disc	Ductile iron EN-GJS-400-15
3	Stem	AISI 304L
4	Guide	Ductile iron EN-GJS-400-15
5	Spring	AISI 302
6	Gasket	EPDM
7	Bushing	Bronze
8	Pin	AISI 304

CAST IRON FOOT AXIAL DISC CHECK VALVE EPDM WITH SPRING FLANGED PN16 ACS

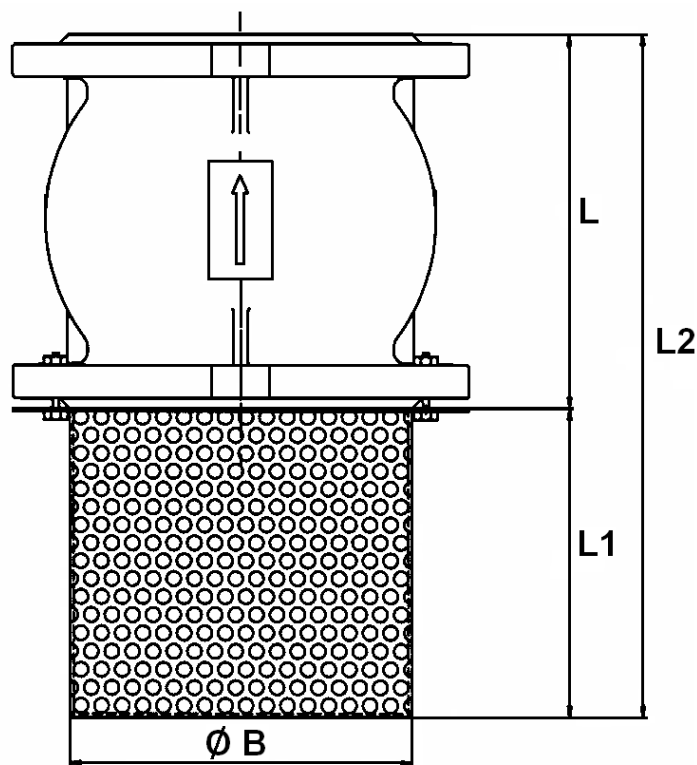
MATERIALS DN 125 - 300 :



Item	Designation	Materials DN125-200	Materials DN250-300
1	Body	Cast iron EN-GJL-250	Ductile iron EN-GJS-400-15
2	Disc	Ductile iron EN-GJS-400-15	Ductile iron EN-GJS-400-15
3	Stem	AISI 304L	AISI 304
4	Guide	Ductile iron EN-GJS-400-15	Ductile iron EN-GJS-400-15
5	Spring	AISI 302	AISI 302
6	Gasket	EPDM	EPDM
7	Bushing	Bronze	Bronze
8	Pin	AISI 304	AISI 304
9	Nut	AISI 304	AISI 304
10	O ring	EPDM	EPDM

CAST IRON FOOT AXIAL DISC CHECK VALVE EPDM WITH SPRING FLANGED PN16 ACS

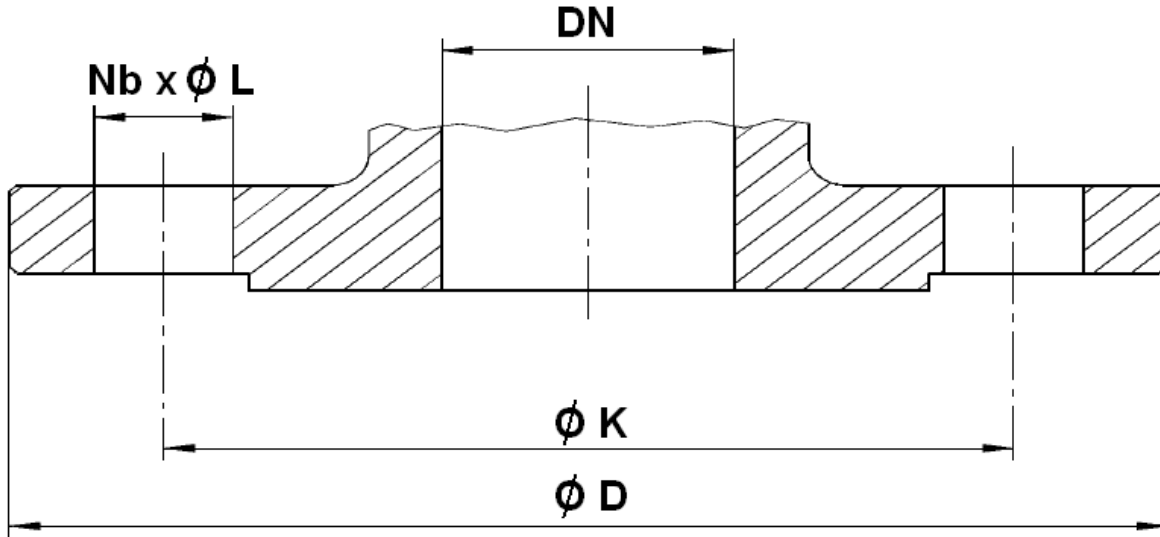
SIZE (mm) :



DN	50	65	80	100	125	150	200	250	300
L	105	120	140	165	195	230	290	355	400
L1	77	110	125	155	170	220	300	390	410
L2	182	230	265	320	365	450	590	745	810
Ø B	93	113	128	148	178	200	255	310	360
Mesh	6	6	6	6	6	6	6	6	6
Weight (Kg)	6.01	8.98	10.95	14.73	21	28.88	49.58	81.58	133.38
Ref.	363050	363065	363080	363100	363125	363150	363200	363250	363300

CAST IRON FOOT AXIAL DISC CHECK VALVE EPDM WITH SPRING FLANGED PN16 ACS

FLANGES SIZE (in mm) :



DN	50	65	80	100	125	150	200	250	300
Ø D	165	185	200	220	250	285	340	405	460
Ø K	125	145	160	180	210	240	295	355	410
Nb x Ø L	4 x 19	4 x 19	8 x 19	8 x 19	8 x 19	8 x 23	12 x 23	12 x 28	12 x 28

STANDARDS :

- Manufacturer certified ISO 9001: 2015 and ISO 14001 : 2015
- DIRECTIVE 2014/68/EU : Products excluded from directive (Article 1, § 2b)
- French water agreement **A.C.S. N° 25 ACC LY 493**
- Pressure Tests according to ISO 5208, Rate A
- Flanges according to EN 1092-2 PN10-PN16

ADVICE : Our opinion and our advice are not guaranteed and SFERACO shall not be liable for the consequences of damages. The customer must check the right choice of the products with the real service conditions.