

**DUCTILE IRON THREADED FEMALE BSP BALL CHECK VALVE**

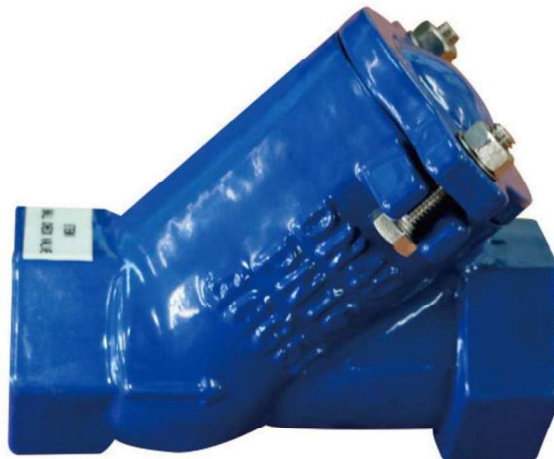
**PRODUCT EVOLUTION**



**Be careful, our ball check valves 331 are changing**

**We currently have 2 different types available (according to DN)  
with different dimensions and spare parts**

**New type :**



**Marking :**



**At the end, only the new type will be available (from pages 2 to 6)**

**DUCTILE IRON THREADED FEMALE BSP BALL CHECK VALVE**

Ductile iron threaded female ball check valve for water distribution and watering.  
Ductile iron body EN GJS-500-7 epoxy anticorrosion painting coated and stainless steel bolting.  
Removable bonnet for easy maintenance.

**Certificate**

**3.1**

**NEW TYPE**



**Size :** DN1" to DN3"  
**Connection :** Female BSP  
**Min Temperature :** -10°C  
**Max Temperature :** +80°C  
**Max Pressure :** 16 Bars  
**Specifications :** Ball type  
Vertical or horizontal installation  
Removable bonnet

**Materials :** Ductile iron body EN GJS-500-7

**DUCTILE IRON THREADED FEMALE BSP BALL CHECK VALVE**

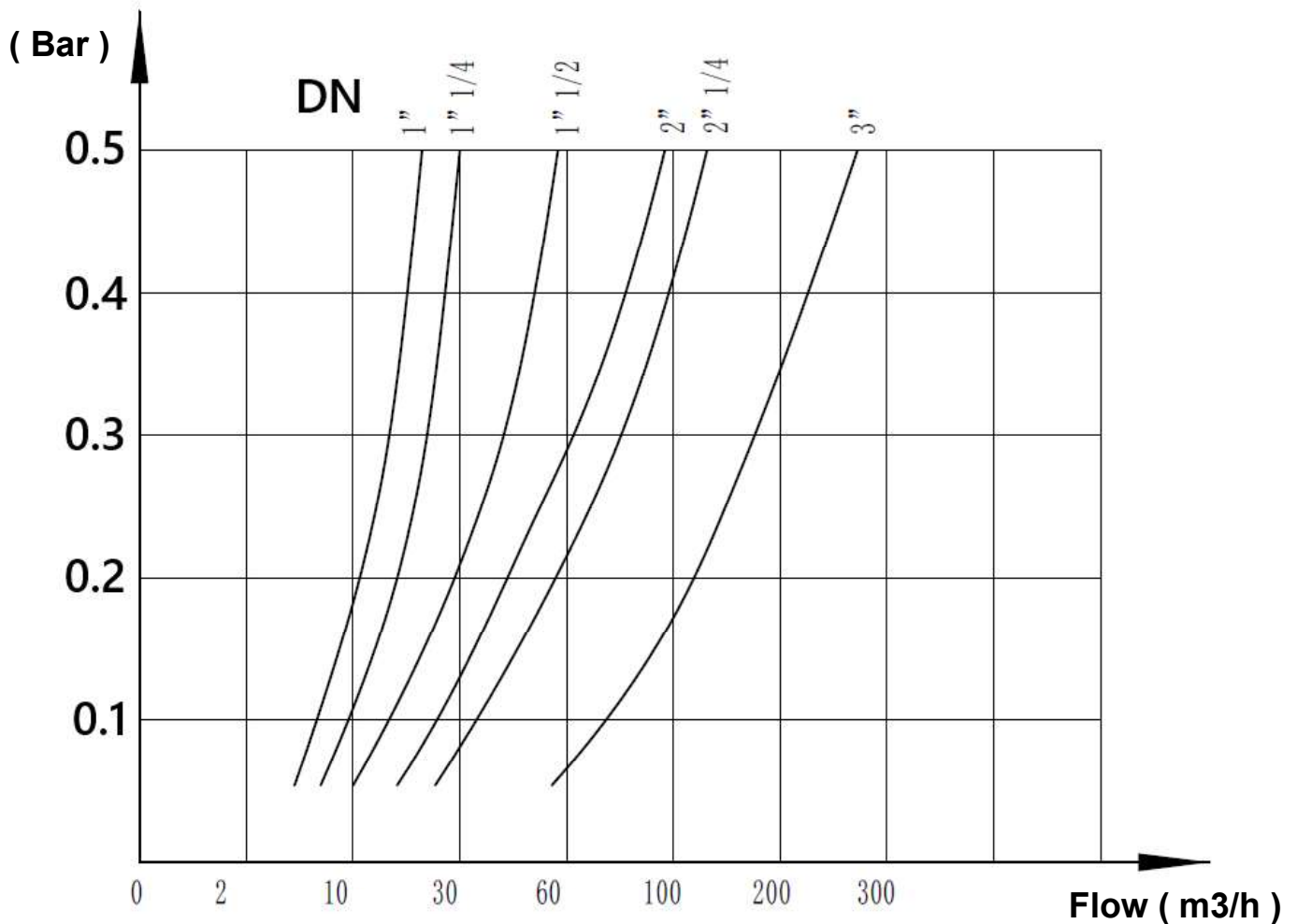
**SPECIFICATIONS :**

- Ball type
- Vertical with ascendant fluid or horizontal (respect the flow direction indicated by the arrow)
- Female / female BSP threaded
- Easy maintenance thanks to the bolted bonnet
- Anti-corrosion epoxy painting RAL 5005 blue color, 250 microns thickness
- Anti-corrosion stainless steel bolting
- Backpressure minimum for tightness : 1 bar

**USE :**

- Water distribution and watering
- Min Temperature Ts : - 10°C
- Max Temperature Ts : + 80°C
- Max Pressure Ps : 16 bars

**HEAD LOSS GRAPH :**

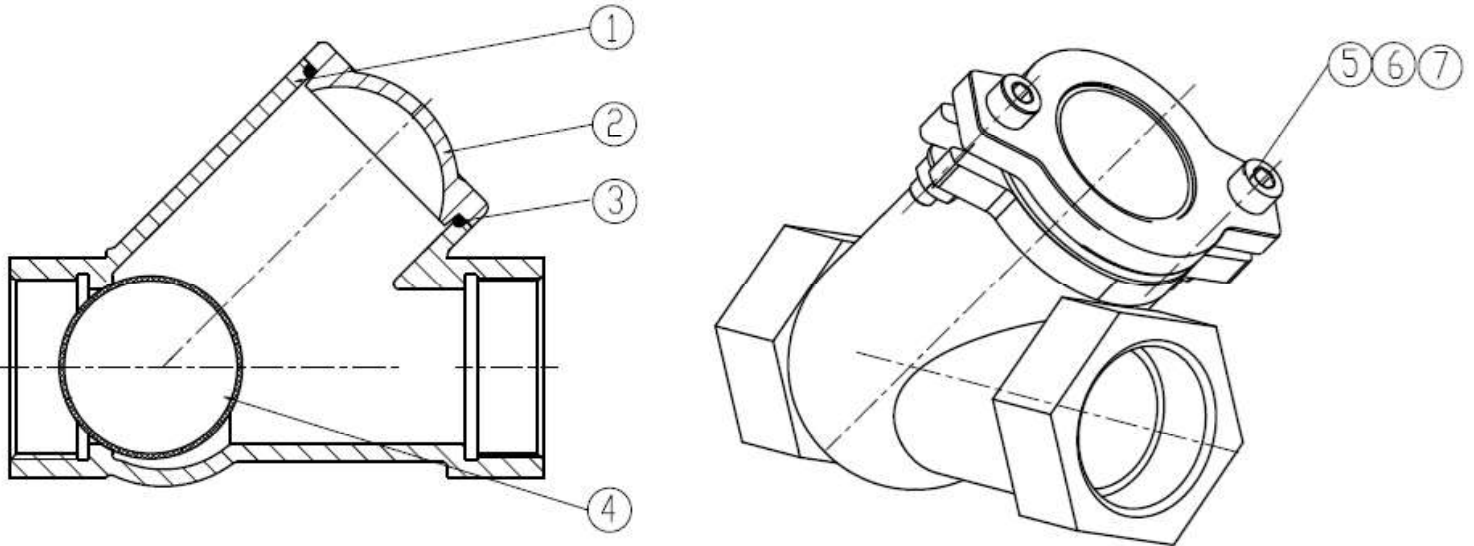


**DUCTILE IRON THREADED FEMALE BSP BALL CHECK VALVE**

**RANGE :**

- Female / female threaded cylindrical BSP Ref. 331 from DN1" to 3"

**MATERIALS :**



Item	Designation	Materials
1	Body	Ductile iron EN-GJS-500-7
2	Bonnet	
3	Bonnet gasket	NBR
4	Ball	Steel coated NBR
5-6-7	Bolting	AISI 304

**REPAIRABILITY :**



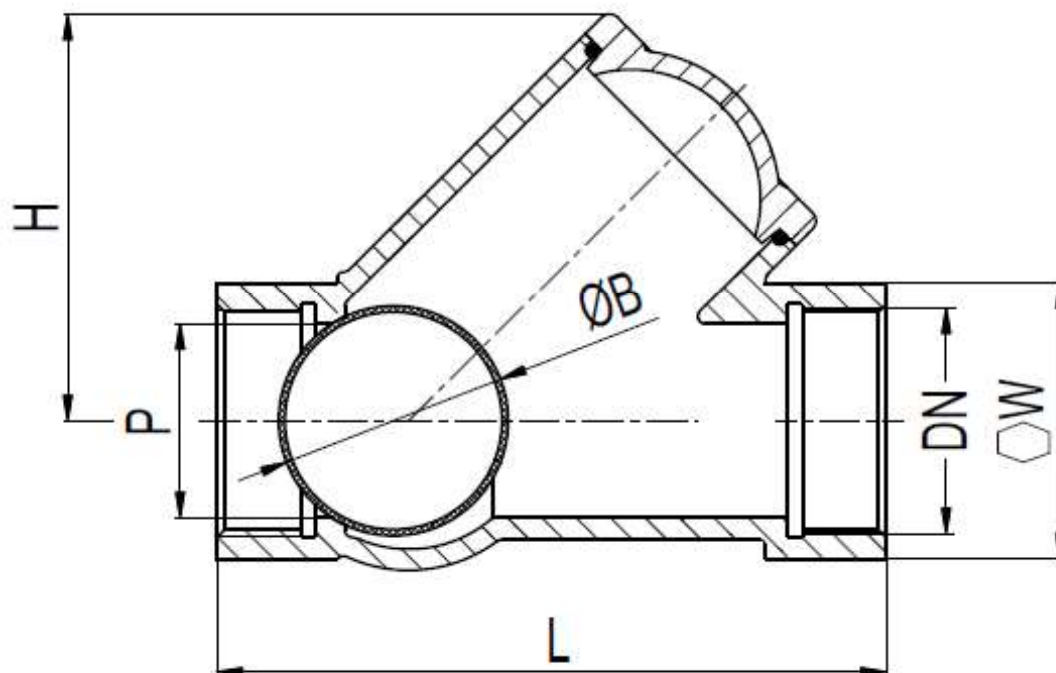
**Marking :**



DN	O ring bonnet gasket (Item 3)	Ball (Item 4)
	Ref. and size	Ref.
DN1"	9803780 (Ø 48.7x2.65)	9803769 (Ø 44)
DN1"1/4		
DN1"1/2	9803781 (Ø 54.5x3.55)	9803770 (Ø 49.5)
DN2"	9803782 (Ø 65x3.55)	9803771 (Ø 62)
DN2"1/2	9803784 (Ø 90x3.55)	9803772 (Ø 80)
DN3"	9803785 (Ø 107x4)	9803773 (Ø 100)

**DUCTILE IRON THREADED FEMALE BSP BALL CHECK VALVE**

**SIZE ( in mm ) :**



DN	1"	1"1/4	1"1/2	2"	2"1/2	3"
L	130		145	175	203	254
H	75		95	110	136	210
Ø B	44		49.5	62	80	100
Ø P	25	32	40	50	65	80
W (on flat)	51		60	72	90	102
Weight (in Kg)	1.58		2.14	3.07	5.4	7.9
Ref.	331006	331007	331008	331009	331010	331011

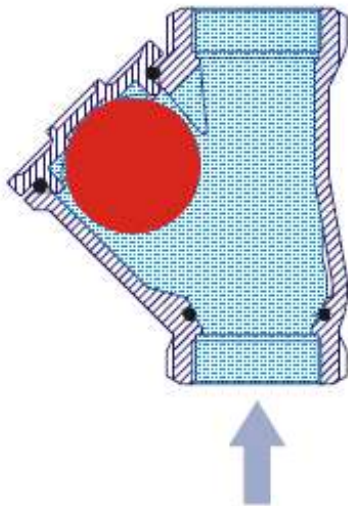
## DUCTILE IRON THREADED FEMALE BSP BALL CHECK VALVE

### STANDARDS :

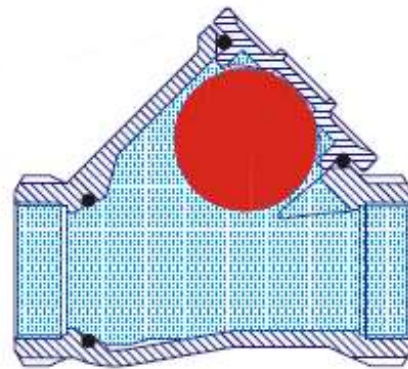
- Manufacturer certified ISO 9001 :2015 and ISO 14001 : 2015
- DIRECTIVE 2014/68/EU : Products excluded from directive ( Article 1, § 2b )
- Certificate 3.1 on request
- Design according to EN 12334
- Threaded BSP cylindrical female according to ISO 228-1
- **Body** test according to ISO 5208, Rate A

### INSTALLATION POSITIONS :

Vertical position ( Ascendant fluid )



Horizontal position



**ADVICE :** Our opinion and our advice are not guaranteed and SFERACO shall not be liable for the consequences of damages. The customer must check the right choice of the products with the real service conditions.